

Product: RECEPTION AND BRIDGE

Modular reception system composed of two adjacent elements: desk and storage/privacy. Many finish options are available including back painted etched glass and the new metal effect lacquer.



TECHNICAL FEATURES

Desk structure: structure made of panels in Sablè lacquered or Steel lacquered finish. Also available back-lacquered etched glass.

Bridge: available in Sablè lacquered finish or Steel lacquered finish.

Electrification: reception equipped with cable tray and cable outlet for electrification.

FINISHES

Desk structure:

Sablè lacquered: UE White, Titanio.

Steel lacquered.

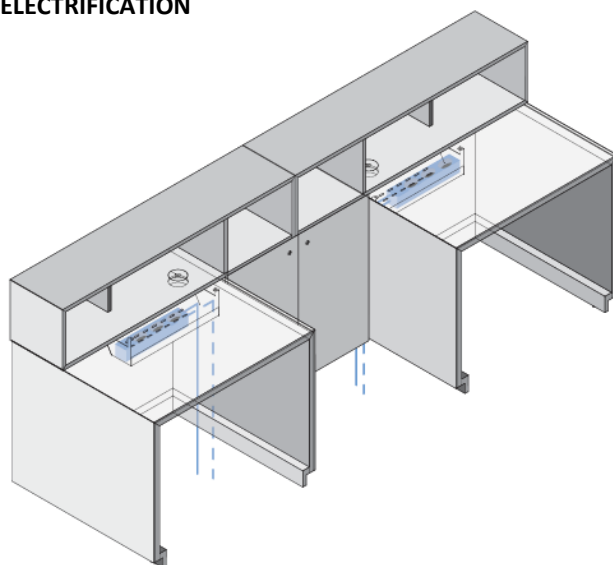
Back-lacquered etched glass: White, Silver, Titanio, Brown, Alfa Red.

Bridge:

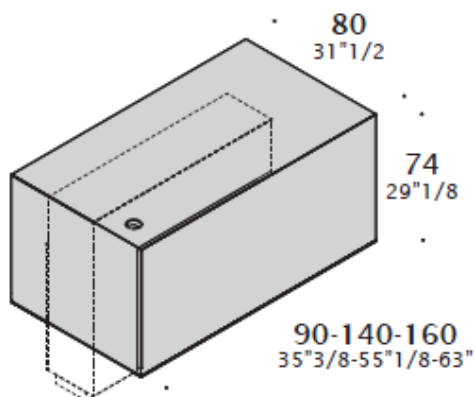
Sablè lacquered, available in different sample collection colours.

Steel lacquered.

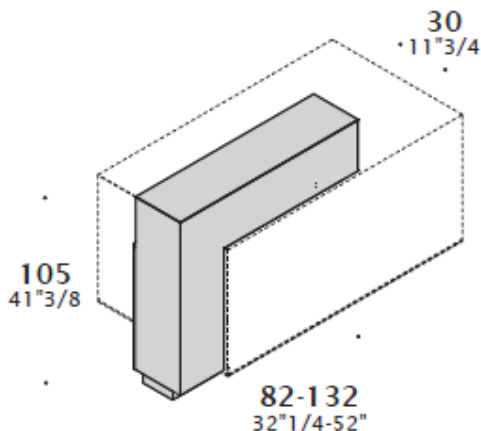
ELECTRIFICATION



DIMENSIONS

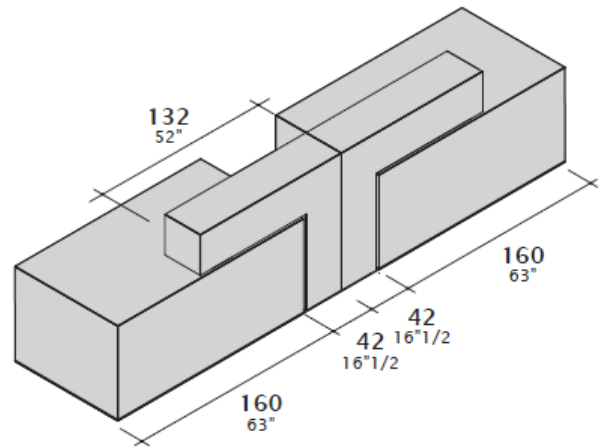
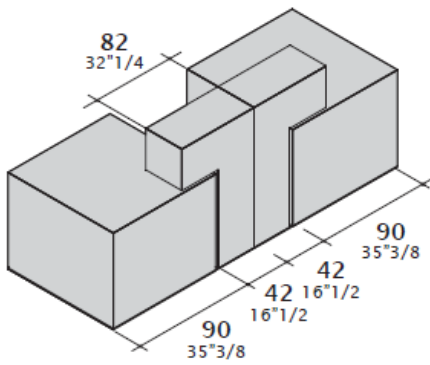
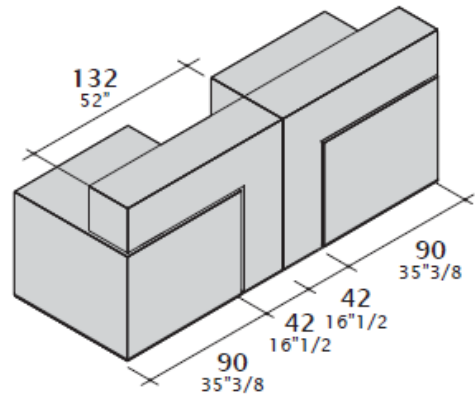
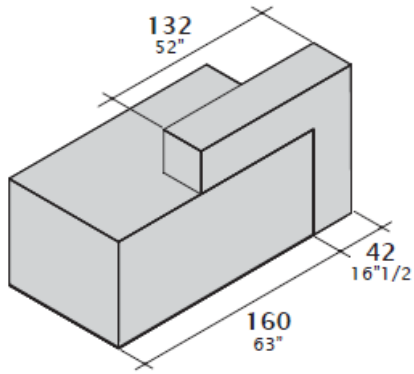


H74 and D80 available with all length options.



H105 and D30 available with all length options.

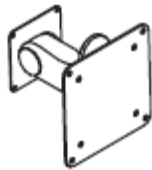
COMPOSITIONS



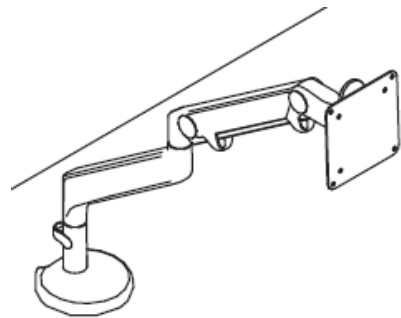
ACCESSORIES



Monitor bracket.



Monitor holder.



Monitor holder.